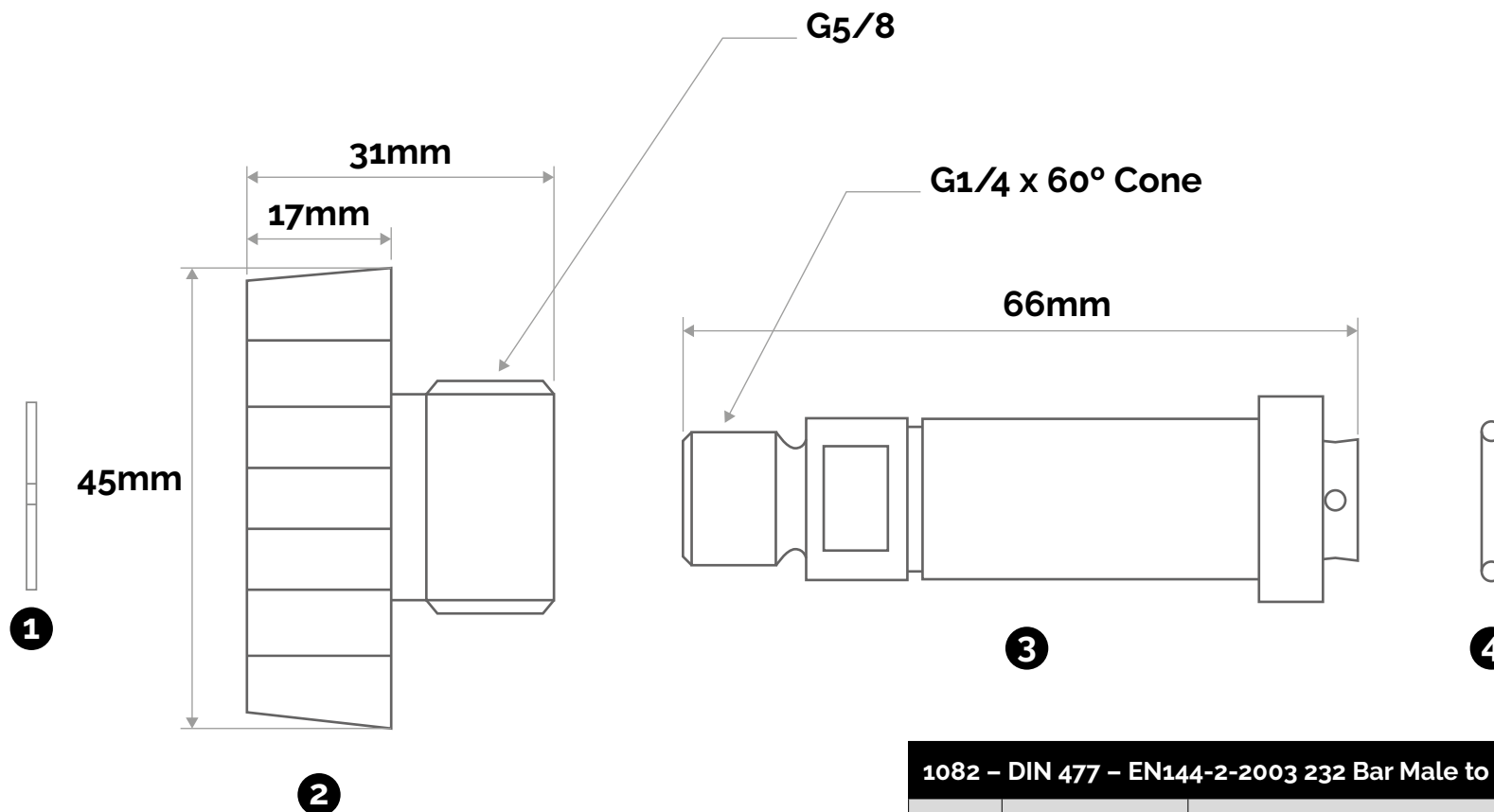




Undersea Centre Ltd
SERVING THE DIVING INDUSTRY SINCE 1974

Unit 3, The Crosshouse Centre,
Crosshouse Road,
Southampton SO14 5GZ
T: 02382 358 111
E: info@undersea-centre.com
W: undersea-centre.com



1082 – DIN 477 – EN144-2-2003 232 Bar Male to G1/4 Male			
Item	Part number	Description	Material
1		Circlip	316 stainless steel
2	1082 HW	304 s/s lock ring	TPE moulded handwheel
3	1082	Shaft	Brass CZ121 chrome plated
4	BS 112-90	O-ring	Nitrile or Viton 90
Design working pressure – 232 bar			

Drawn October 2016
For illustration purposes only, drawings are not to scale.